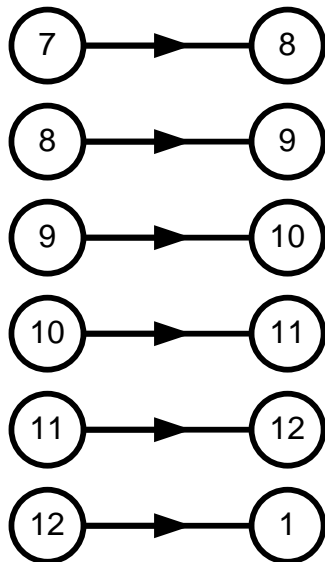
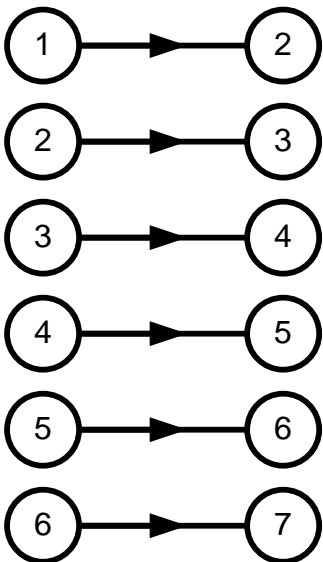
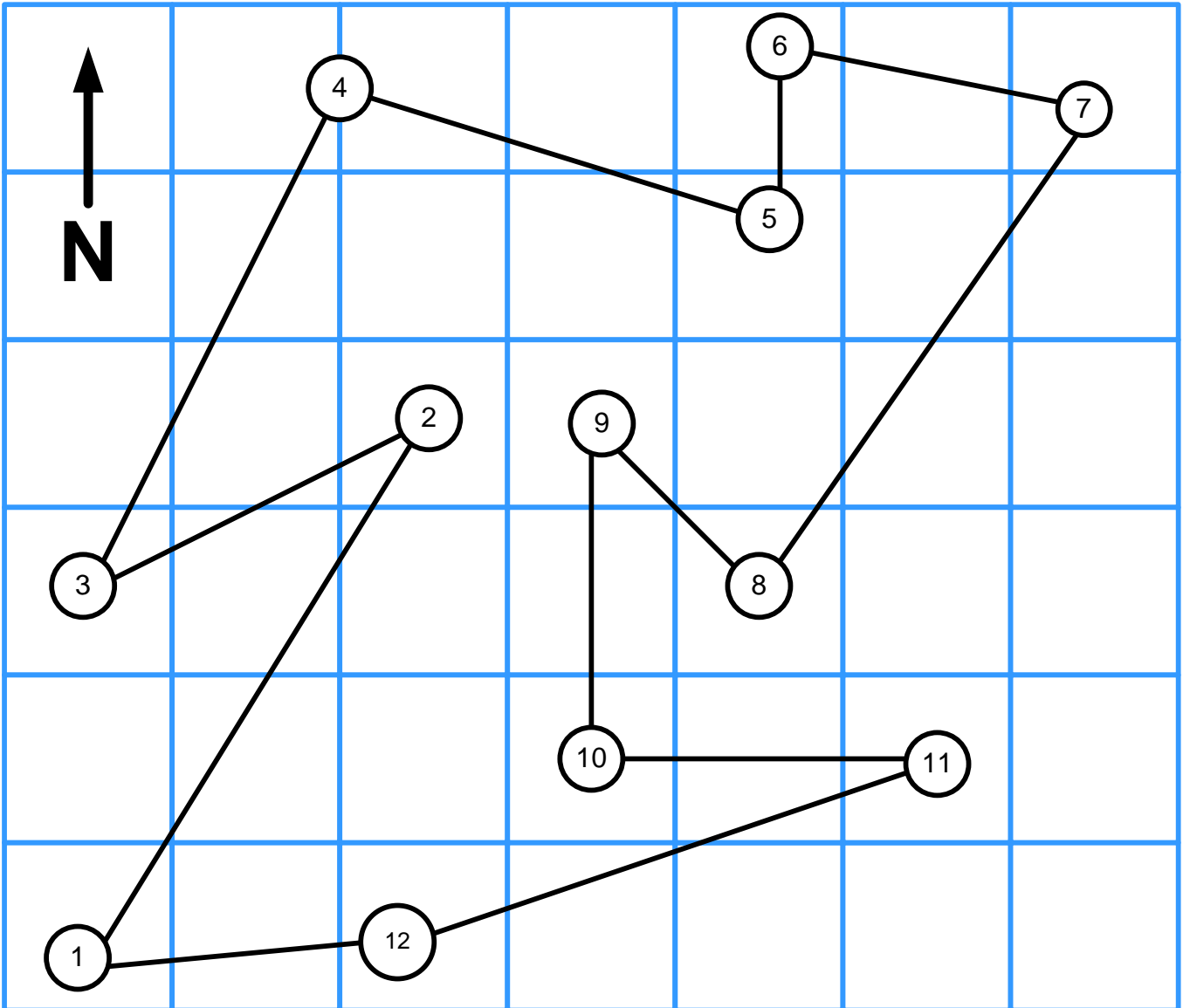


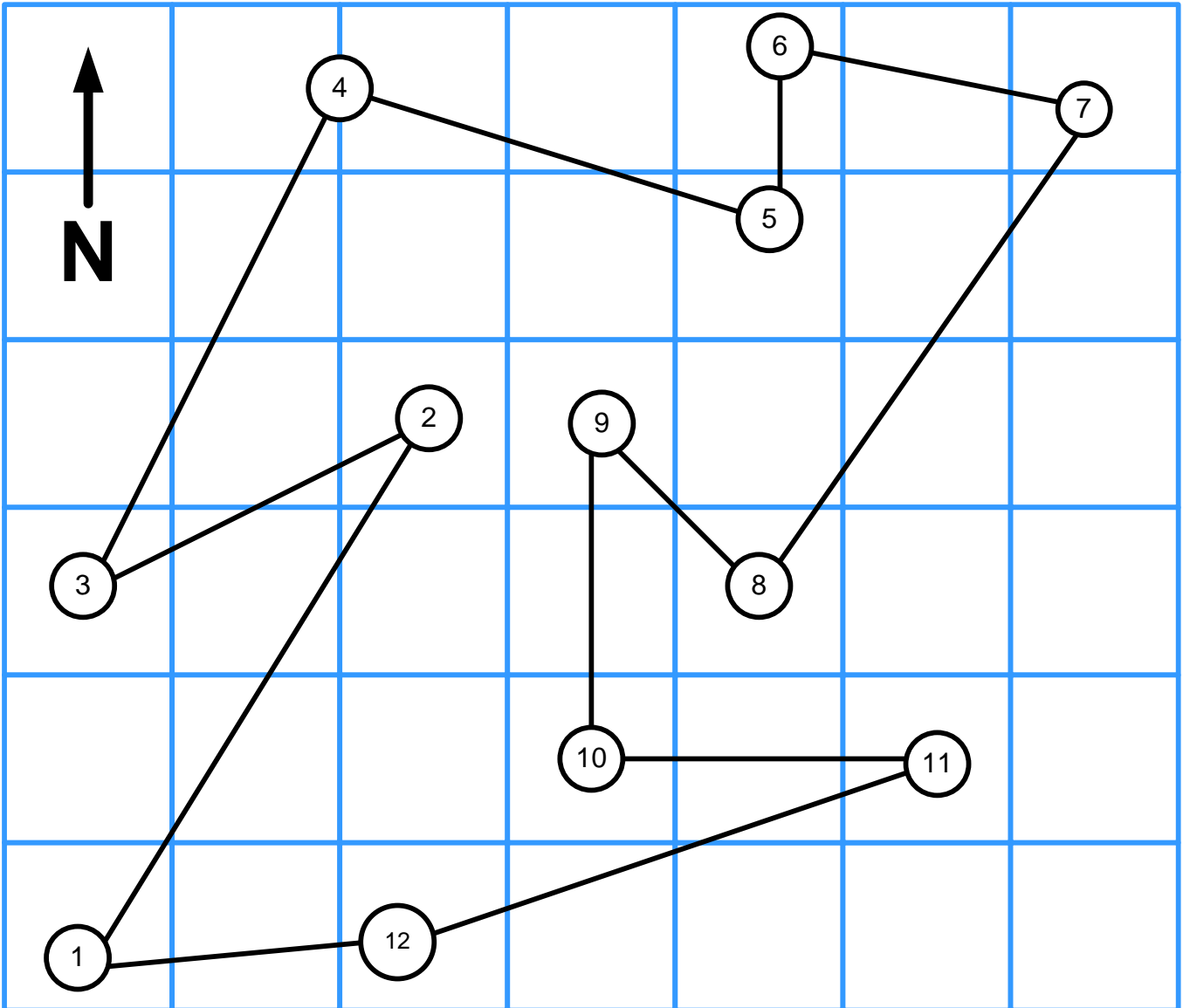
Grid Bearings Worksheet

Name: _____



Grid Bearings Worksheet

Name: _____



32 deg



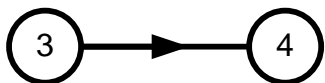
215 deg



243 deg



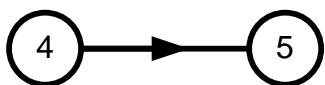
315 deg



27 deg



180 deg



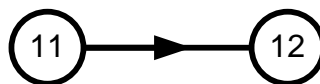
107 deg



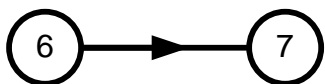
90 deg



0 deg



252 deg



101 deg



264 deg