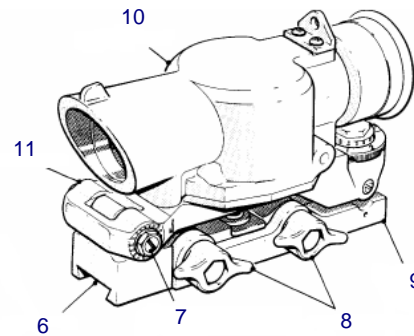
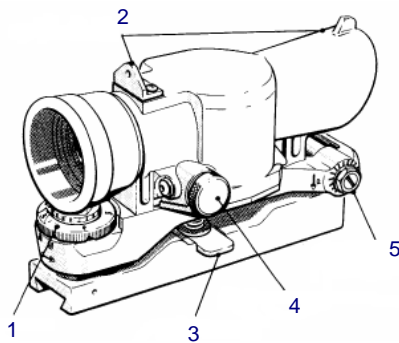


SIGHT UNIT SMALL ARMS TRILUX (SUSAT) (L12A1)



- () Emergency Battle Sight (EBS)
- () Range Drum & Vertical Adjustment Nut
- () Lifting Plate
- () Dovetail
- () Horizontal Adjustment Nut
- () Bracket

- () Horizontal Adjustment Nut
- () Optical Body
- () Trilux Brightness Control
- () Clamping Nut
- () Mount Shoe

Safety: The Trilux Source

The TRILUX lamp used in the SUSAT contains Tritium gas. In the event of breakage the following precautions are to be taken:

1. The 1 gas is not to be 2 .
2. 3 are to be extinguished immediately.
3. 4 parts are not to be handled with bare 5 .
4. If a breakage occurs 6 , doors and 7 are to be opened to allow the gas to clear, and any gas or flame 8 system is to be turned 9 .
5. All 10 are to be reported to the 11 Officer and the unit 12 as soon as possible.

- | | |
|----------------|-------------|
| () Escaping | () Indoors |
| () Cigarettes | () Broken |
| () Hands | () Inhaled |
| () Heating | () Off |
| () Breakages | () Medical |
| () Armourer | () Windows |

ANSWERS

(02) Emergency Battle Sight (EBS)
(01) Range Drum & Vertical Adjustment Nut
(03) Lifting Plate
(06) Dovetail
(05) Horizontal Adjustment Nut
(11) Bracket

(01) Escaping
(03) Cigarettes
(05) Hands
(08) Heating
(10) Breakages
(12) Armourer

(06) Indoors
(04) Broken
(02) Inhaled
(09) Off
(11) Medical
(07) Windows

(07) Horizontal Adjustment Nut
(10) Optical Body
(04) Trilux Brightness Control
(08) Clamping Nut
(09) Mount Shoe