

## Technical Data

	Cadet GP	No 4 Rifle
<b>Weight (kg)</b>		
Weapon (less magazine)	3.8	4.08
Empty Magazine	0.12	0.13
Loaded Magazine	0.48	0.40
(filled with)	(30 rds)	(10 rds)
Weapon (complete with loaded magazine)	4.58	4.48

<b>Length (mm)</b>		
Weapon	785	1130.3

### Mechanical Features

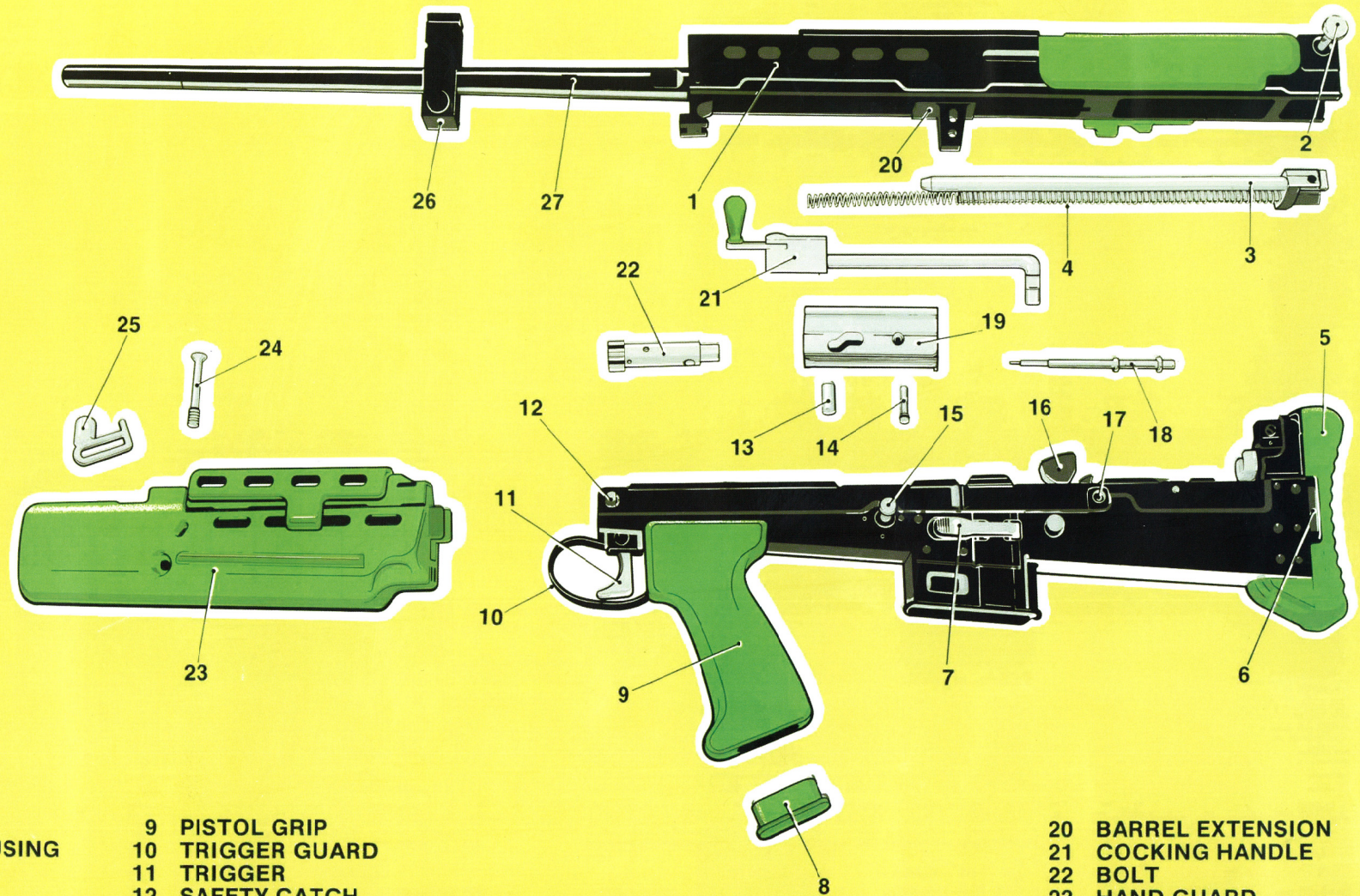
Firing Modes	Single shot	Single shot
Method of Operation	Manual	Bolt Action
Type of Locking	Rotary Bolt Forward Locking	Rear Locking
Method of Feed	Magazine	Magazine

### Ammunition

Calibre	5.56 mm	.303 inch
Round Weight (g)	12	30
Types:	Ball	Ball
	Tracer	Tracer
	Blank	Blank
	Low Power Drill	
Sub-calibre adaptor	.22 inch	N A

### Firing Characteristics

Muzzle Velocity (m/s)	940	735
Recoil Energy (Joules)	4	Not Known



- 1 BODY
- 2 TRIGGER MECHANISM HOUSING
- 3 RECOIL ROD ASSEMBLY
- 4 RECOIL SPRING
- 5 BUTT PAD
- 6 REAR SLING LOOP
- 7 MAGAZINE CATCH
- 8 PISTOL GRIP INSERT

- 9 PISTOL GRIP
- 10 TRIGGER GUARD
- 11 TRIGGER
- 12 SAFETY CATCH
- 13 BOLT CAM STUD
- 14 FIRING PIN RETAINING PIN
- 15 TRIGGER MECHANISM HOUSING
- 16 HAMMER

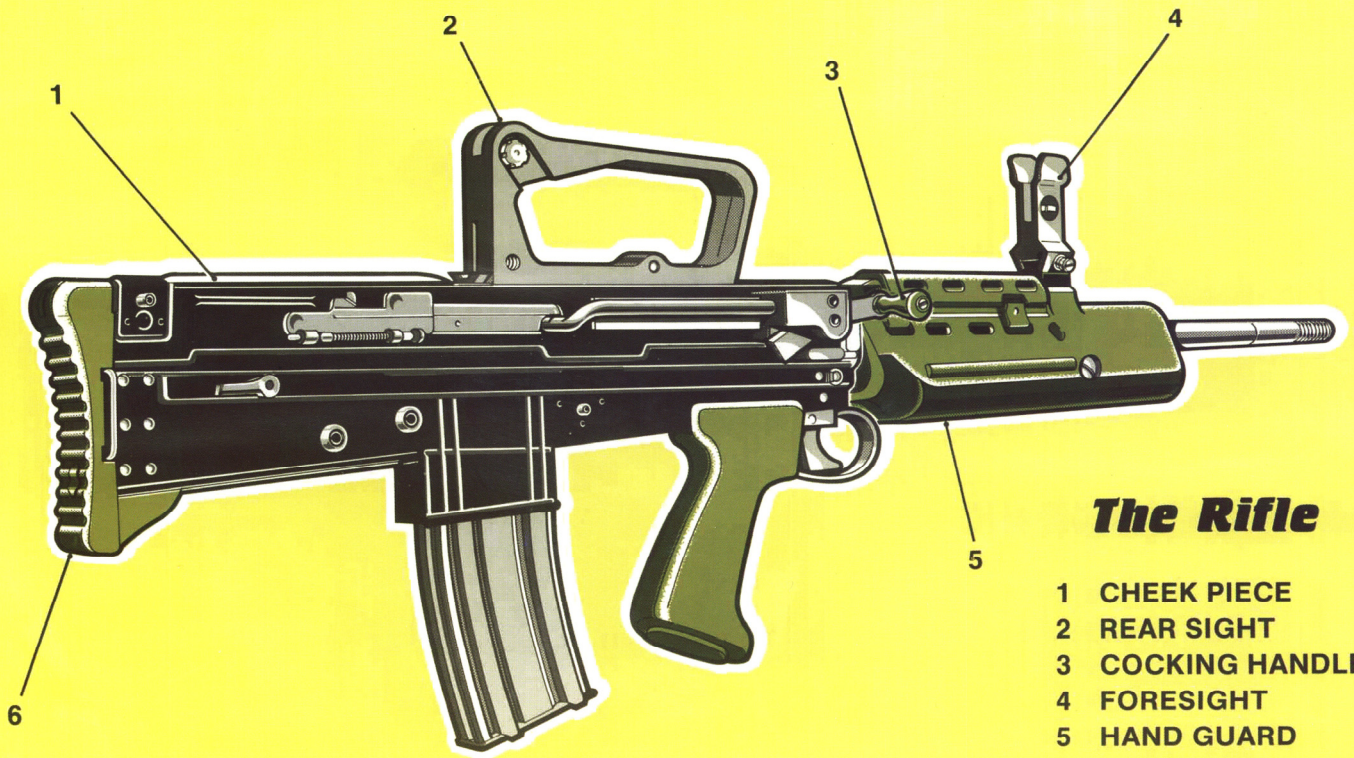
- 17 BOLT RELEASE CATCH
- 18 FIRING PIN
- 19 CARRIER

- 20 BARREL EXTENSION
- 21 COCKING HANDLE
- 22 BOLT
- 23 HAND GUARD
- 24 SLING LOOP RETAINING SCREW
- 25 FRONT SLING LOOP
- 26 FORESIGHT BLOCK
- 27 BARREL

**Cadet GP**  
**Rifle**

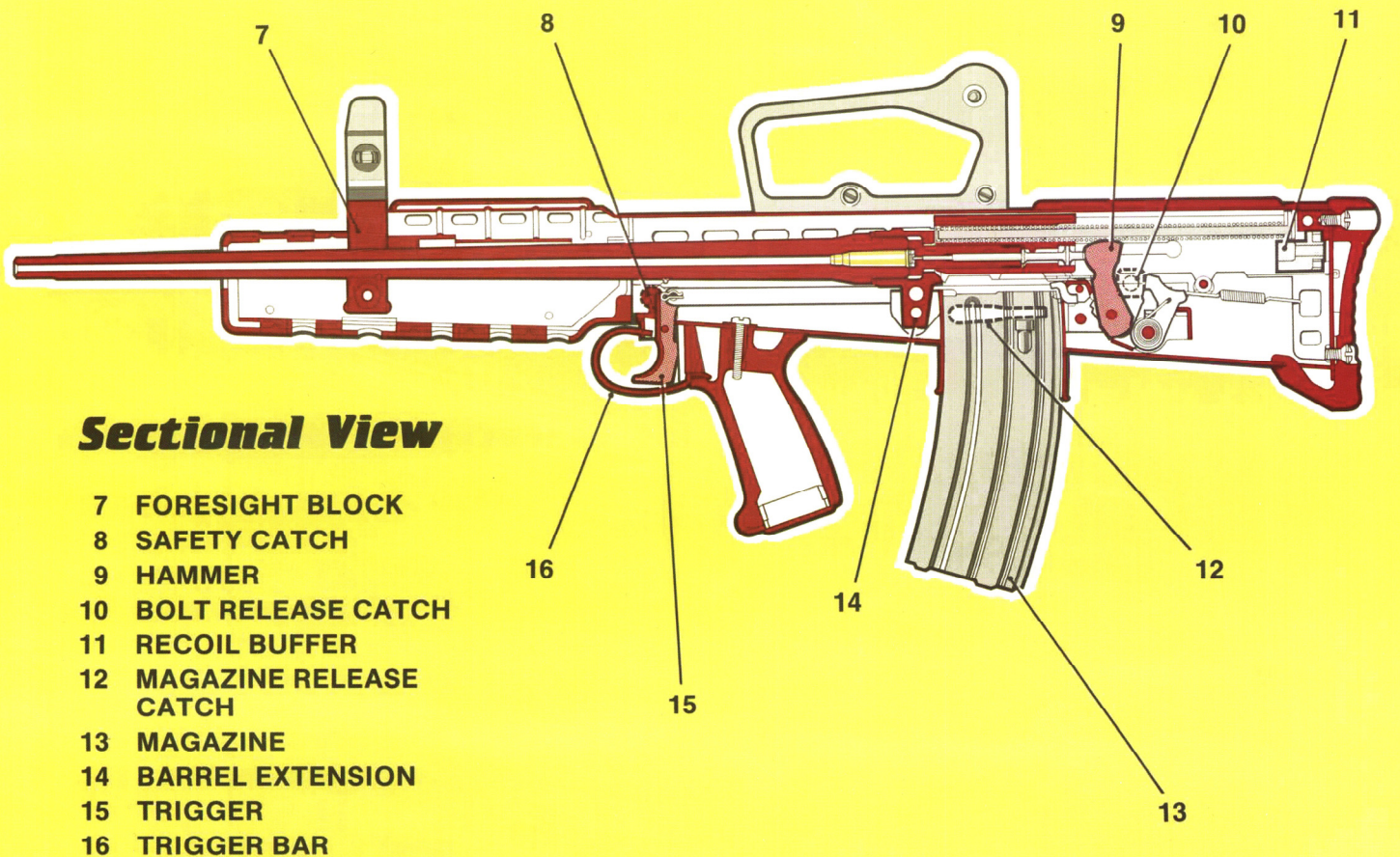
**The Rifle Field Stripped  
& Technical Data**





## **The Rifle**

- 1 CHEEK PIECE
- 2 REAR SIGHT
- 3 COCKING HANDLE
- 4 FORESIGHT
- 5 HAND GUARD
- 6 BUTT PAD



## **Sectional View**

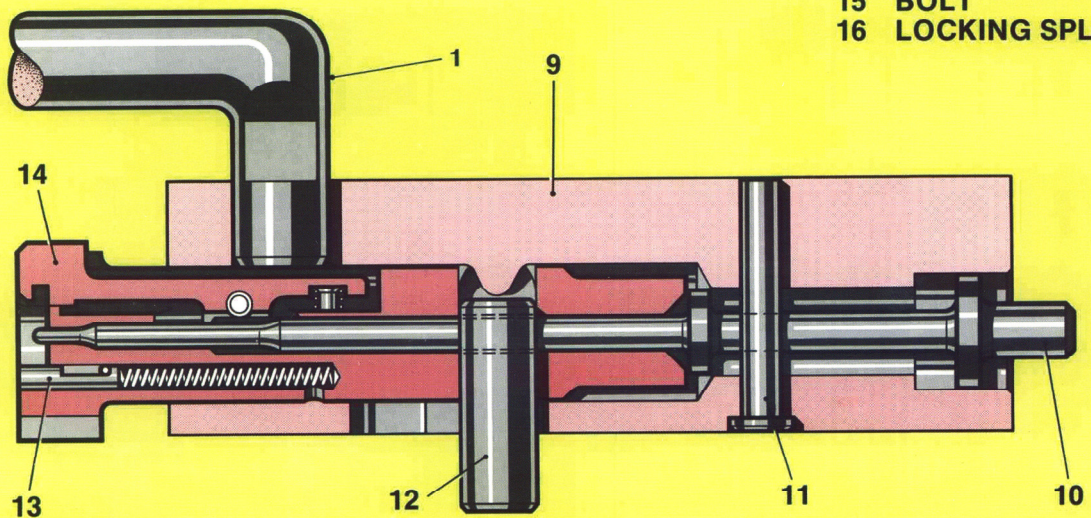
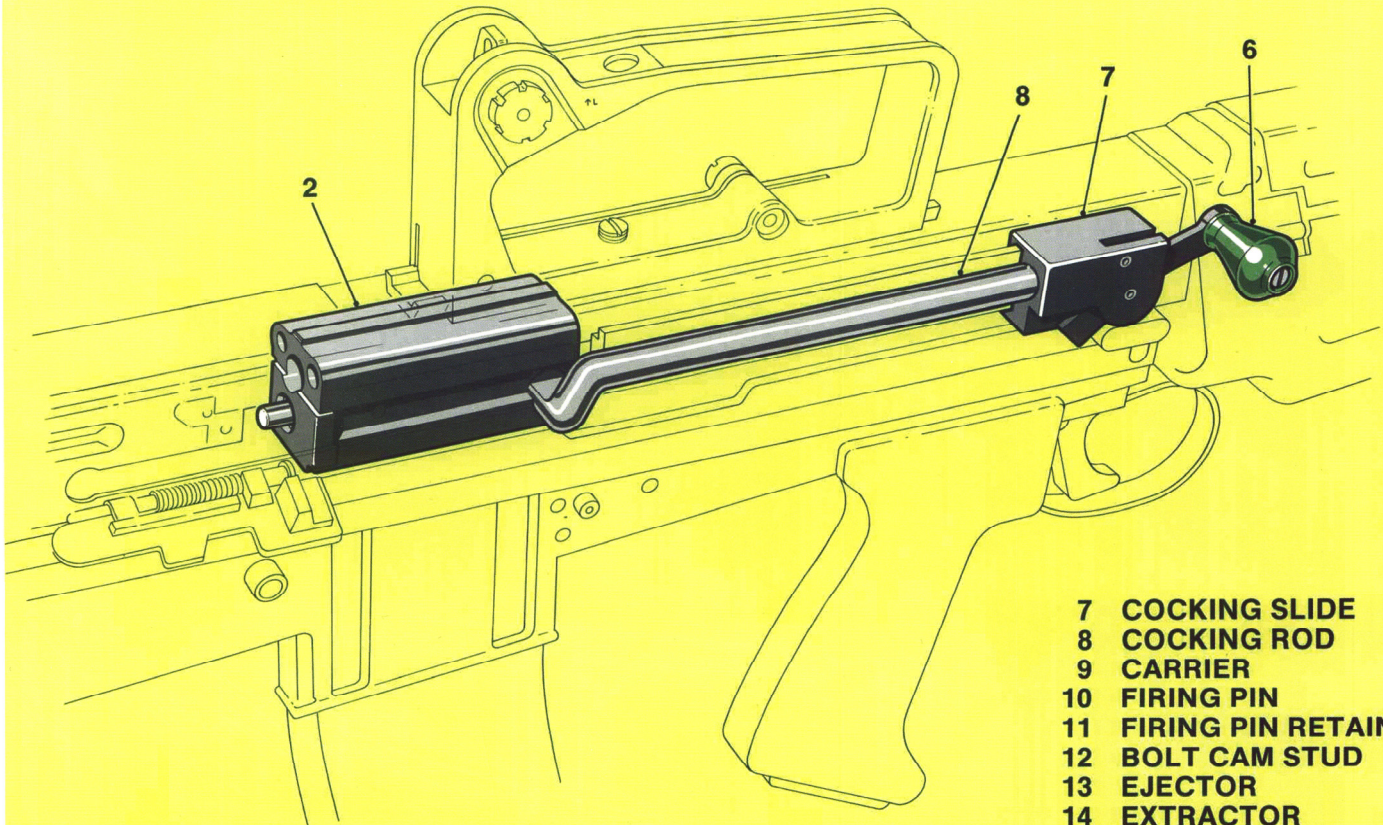
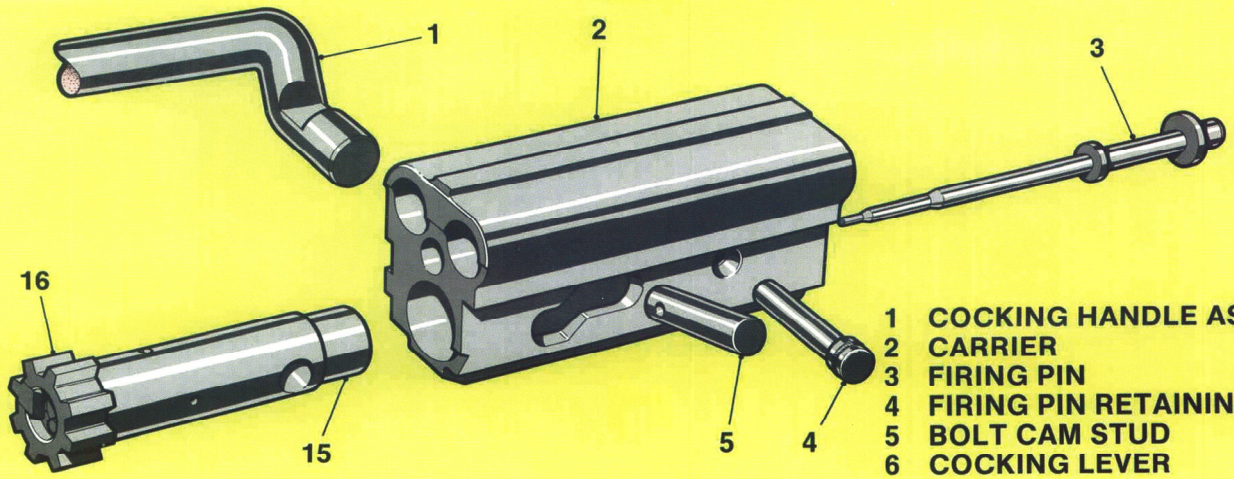
- 7 FORESIGHT BLOCK
- 8 SAFETY CATCH
- 9 HAMMER
- 10 BOLT RELEASE CATCH
- 11 RECOIL BUFFER
- 12 MAGAZINE RELEASE CATCH
- 13 MAGAZINE
- 14 BARREL EXTENSION
- 15 TRIGGER
- 16 TRIGGER BAR

**Cadet GP**  
**Rifle**



**The Rifle**





**Cadet GP Rifle**

**Bolt Carrier and Components**