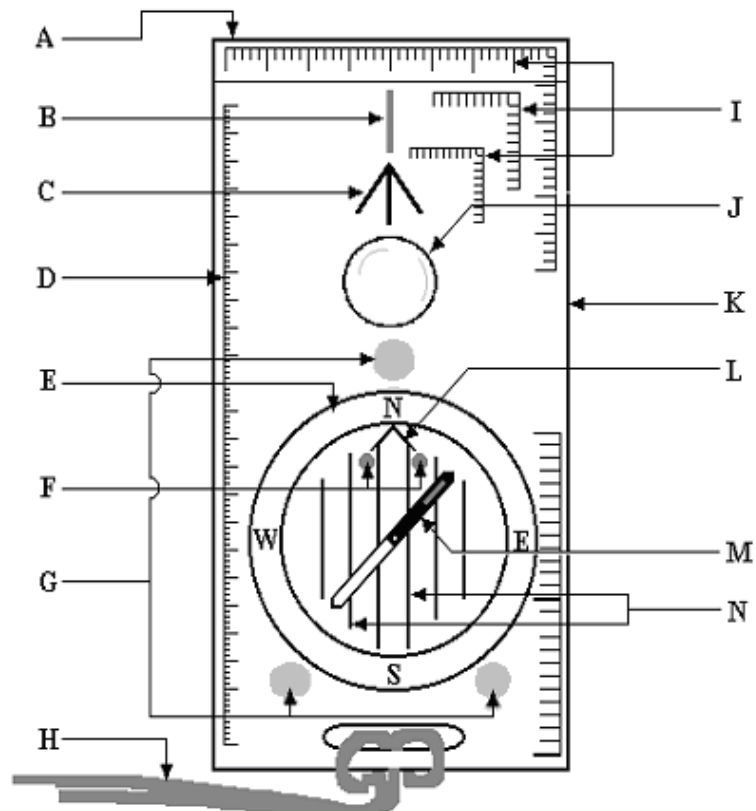


The Lightweight (Silva) Compass

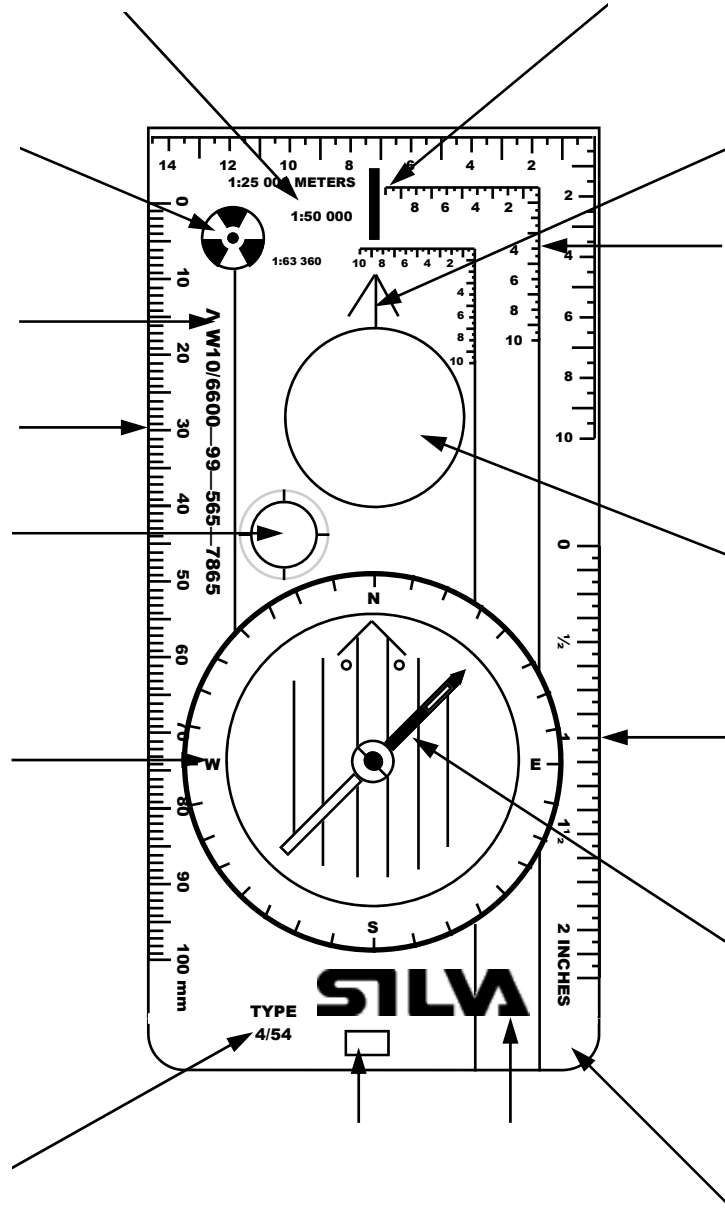


ANSWERS

Name

A	
B	
C	
D	
E	
F	
G	
H	
I	
J	
K	
L	
M	
N	

SILVA



The Light Weight Compass

0205MAC04WS2